

DC Drive



1/4 - 2.0 HP @ 230 VAC 1-Ph., 50 Hz: 180V armature

1/8 - 1.0 HP @ 115 VAC 1-Ph., 50 Hz: 90V armature

For the operation of Permanent Magnet DC Motors Only.

Function:

Series BDCD DC drives are new generation of DC drives for 1/8 - 2 HP motors and for use on line supply voltages from 230 or 115 V AC.

Series BDCD DC drives are designed using the latest CMOS technology which helps to reduce maintenance, increase product reliability and enables extremely rapid commissioning.

Features:

- **Easy to handle, Install**
 - **Easy to design into machine equipment**
 - **Fused AC input connections**
 - **Control Speed from:**
 - 10k ohm potentiometer included with drive (front panel)
 - External 10k ohm potentiometer
 - External input (0-10 V DC)
 - External input (4-20mA DC)
 - **Speed Regulation**
 - 1% Speed regulation armature voltage feedback
 - **Flush mounted operator devices:**
 - Power on/power off switch
 - Power on indicator
 - Speed Potentiometer
 - **On-board LEDs for diagnostics:**
 - Power-ON indication
 - Fault Indication
 - **Terminal block for easy use**
 - **Monitoring functions:**
 - Overload
 - Minimum Field Current
- Optional Setting for:**
- Minimum Speed : 0-35%
 - Maximum Speed: 75-100%
 - Acceleration/Deceleration: 0.5-17 sec.
 - Armature over current Trip

Specifications:

Aux. Supply	: 240 V (AC) / 110 V (AC)
Output	: 0 - 180 (V DC) / 0 - 90 (V DC)
Indication	: LED (Power-ON, Fault)
Mounting	: Flush
Enclosure	: ABS molded
Dimensions	: 96x192x150 (cut out 92 x 92)
Reset	: By System ON-OFF Switch



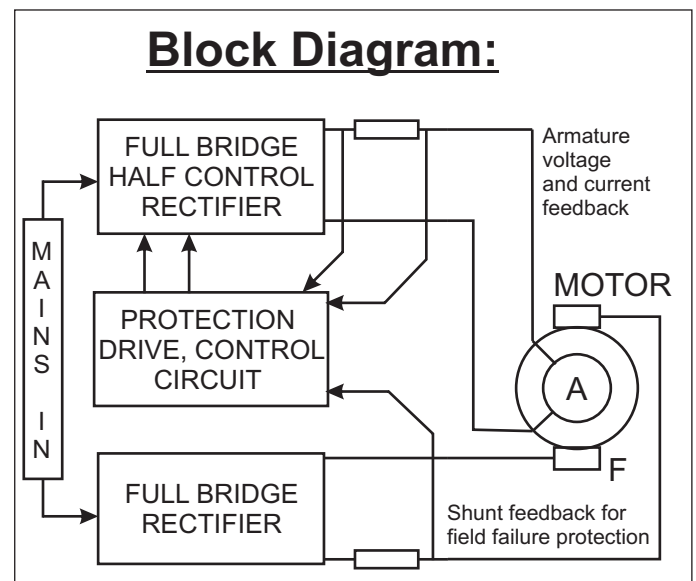
Series PDCD Size 96 x 192

Application:

Dc Drives are widely used for control of DC motors in various industries like:

Packaging Equipment, Conveyors, Metering Pumps, Take-Ups, Mixers, Material Handling Machines, Exercise Equipment, Feeders, Printing Presses Tapping Machines, Robotics and many more.

Block Diagram:



BAID POWER SERVICES P. LTD.

152, Block- B, Ground floor, Lake Town, Kolkata - 700089 Tel:+91(033)25210322, Fax:+91(033)25343662
Email: info@indiapowerhouse.net, Web: www.indiapowerhouse.com