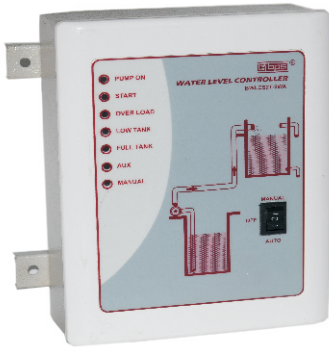


WATER LEVEL CONTROLLER-BWLCS2T-2WA

-Automation of water pump



For Single Phase Monoblock, Submersible or Three Phase



BPS Water level controllers- WLCS2T-2WA keeps constant watch on the water level of the upper storage tank and switch ON or OFF.

It also checks the availability of water in the reservoir.

This is suitable for direct connection up to 1 HP mono block & submersible single phase pumps-or 3 phase pumps with starter.

With mode selection for AUTO/ OFF/ MANUAL it facilities operation of pumps in any modes.

INDICATIONS:

- Pump ON
- Power ON
- Start
- Overload
- Full tank
- Low tank
- Aux
- Manual

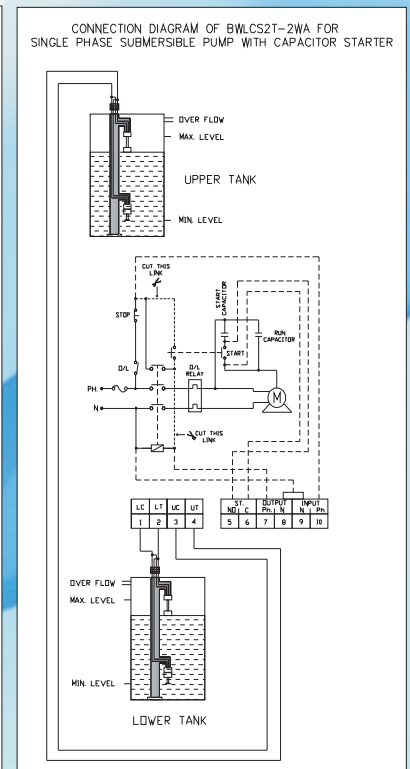
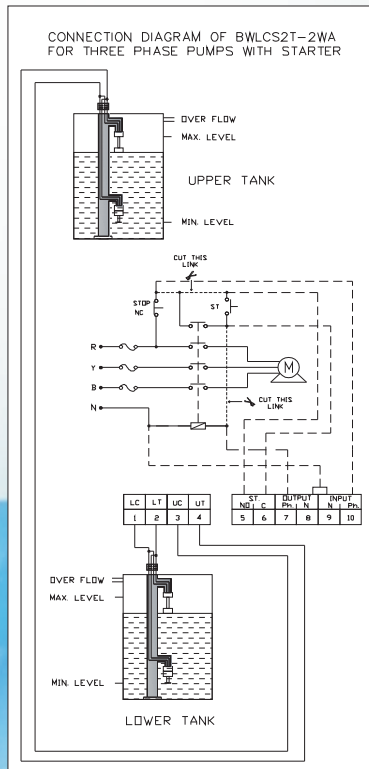
SAVE
Water
Electricity
Damage of Building

SPECIAL FEATURES:

- ✍ No dry run of Pump-long life
- ✍ No over flow
- ✍ Auto/Manual/Off select
- ✍ Reliable and Rugged
- ✍ Non Contact float switch Sensor
- ✍ Suitable for hard/soft water
- ✍ Compact size

COMPATIBLE SENSORS:

It has to be connected with mounting kit MK-3W which contains FS 2WA Sensors 2 Nos., Cemented Stand for mounting 1 No., PVC pipe-



Manufactured by:
BAID POWER SERVICES Pvt. Ltd.
KOLKATA

Marketed by: