

# Electronic Hooter



BPS offers I.C. Based Solid State Electronics hooters suitable for control panel / control desk and other alarm annunciation boards with many unique features.

## Solid State:

Hooters are IC based with professional grade components and hence more reliable than the electro mechanical hooters which are subject to frequent coil burnout.

## Low Power Consumption:

Power consumption is less than 25% of conventional electro mechanical hooters.

## Wide Input Supply Voltage:

BPS electronic hooters are available for different input supply voltage e.g. 12 V. DC to 220 V. AC/DC

## Different Sound:

Hooters with different sounds are available. Max. sound level is 107 db.

## Continuous Rating:

BPS solid state hooters are tested for continuous operation.

## Easy Flush Mounting:

Mounting is suitable for standard meter cutting size. (92X92 mm)

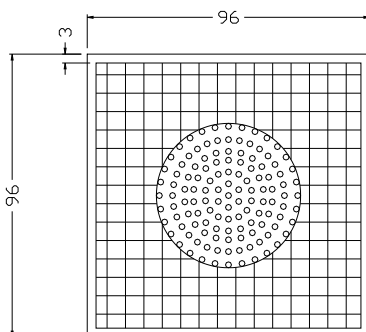


### Select the ideal hooter

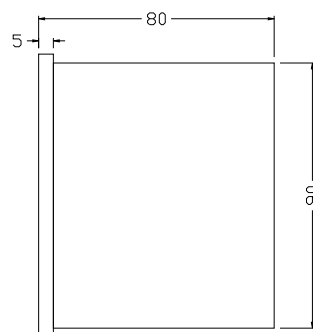
#### Sound

Model No.*	Variety	AUX. Supply
BEH-1	Single sound	12/24/220 V AC
BEH-2	Double sound	12/24/220 V AC
BEH-3	Three sound	85-230 V AC/DC

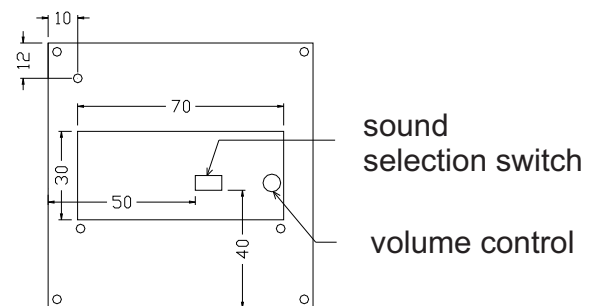
Sound Level Max. 107 db



Front View



Right side View



Back Cover  
Back View

**BPS** BAID POWER SERVICES PVT. LTD.

152 Block - B Ground Floor Lake Town Kolkata - 700089, West Bengal  
 ph: +91 (033) 2521 0322,40678112 Email: [info@indiapowerhouse.net](mailto:info@indiapowerhouse.net) Web site: [www.baidpower.com](http://www.baidpower.com)